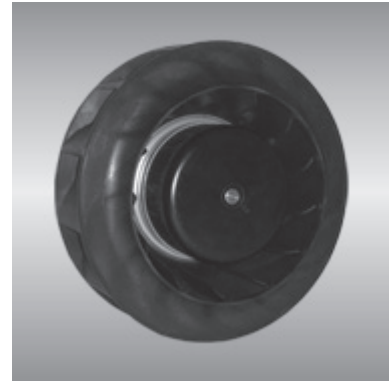


# ∅ 190 BG series

x69mm



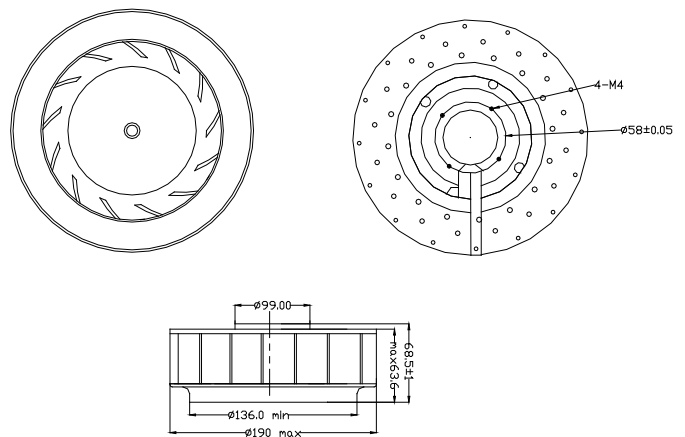
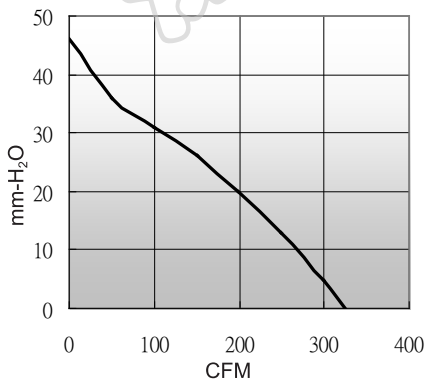
## General Specifications

- Motor : 8 Poles brushless DC motor
- Frame & Impeller : Al die casting & plastic
- Storage temperature : -40°C to +75°C
- Operating temperature : -10°C to +70°C

## Major Characteristic Parameters

Model	Bearing System	Rated Voltage	Operating Voltage Range	Rated Current	Rated Speed	Maximum Air Flow		Maximum Static Pressure		Sound Level	Weight
Part NO.	B / S / F	V	V	A	RPM	m <sup>3</sup> /min	CFM	mm-H <sub>2</sub> O	In-H <sub>2</sub> O	dBA	Kg
BGN19069B28U	B	24	16~28	3.5	3000	1.81	325	46	9.20	62	1.33
BGN19069B48U	B	48	36~56	1.8	3000	1.81	325	46	9.20	62	1.33

\*Bearing system B: Two Ball Bearing F: Fluid Bearing S: Sleeve Bearing



unit:mm